



HORIZON RANGE

Centre Mast Non Retractable Umbrellas

Skyspan's wind rated Non Retractable Umbrellas are engineered and manufactured in Australia using state of the art materials that provide strength, elegance and durability.

The combination of structural grade aluminium frames with translucent architectural grade PVDF skins, suitable for the harshest of conditions and wind rated to 120 kph, (W33) makes the Horizon Umbrella truly unique.



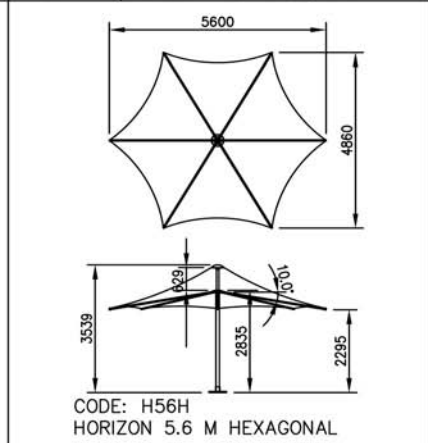
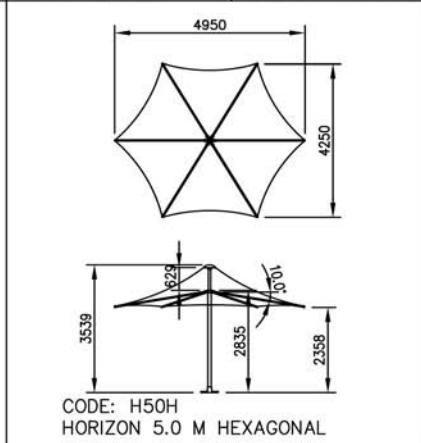
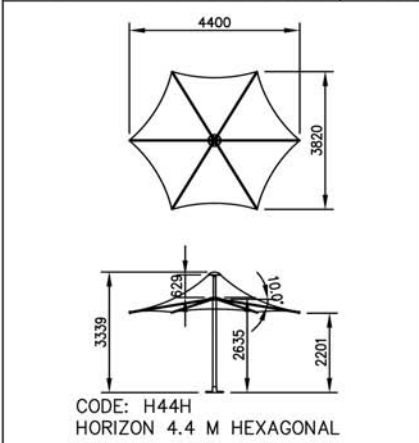
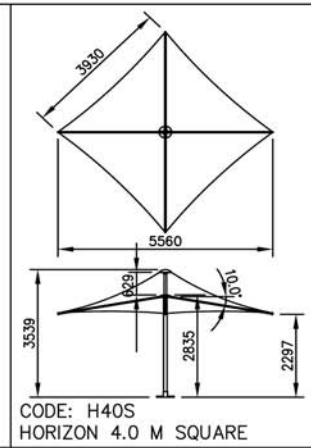
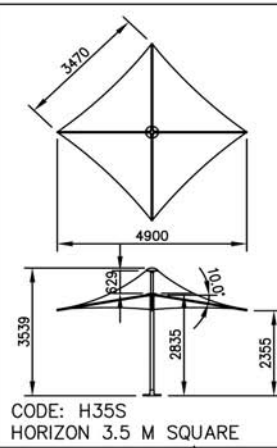
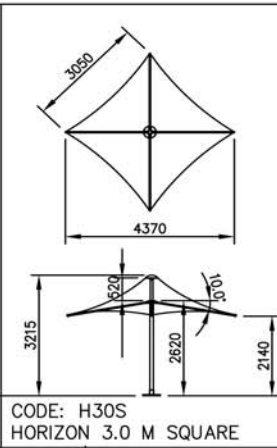
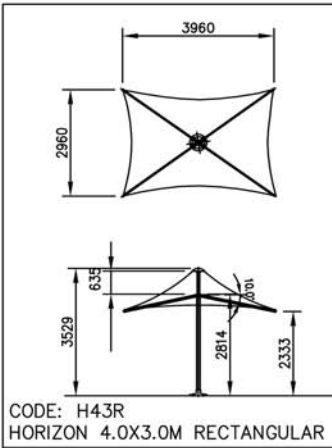
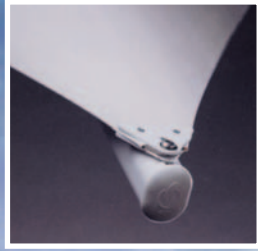
Special Features

- Low maintenance, heat reflective, UV treated, fully welded membrane.
- Stainless steel edge cable for even tension of roof material.
- All metal work is structural aluminium or stainless steel with a powder coat finish.
- Optional internal lighting, heating and clear drop curtain applications.
- 5 year warranty on frame.
- 2 year warranty on fabric.
- 10 year anti rust policy.

Simple Innovative Affordable
www.skyspan-umbrellas.com.au

Some of Skyspan's
Optional extras

HORIZON RANGE



HORIZON UMBRELLA RANGE BROCHURE

Ferrari 502 Colour range



www.skyspan-umbrellas.com.au

Your Skyspan Agent: