

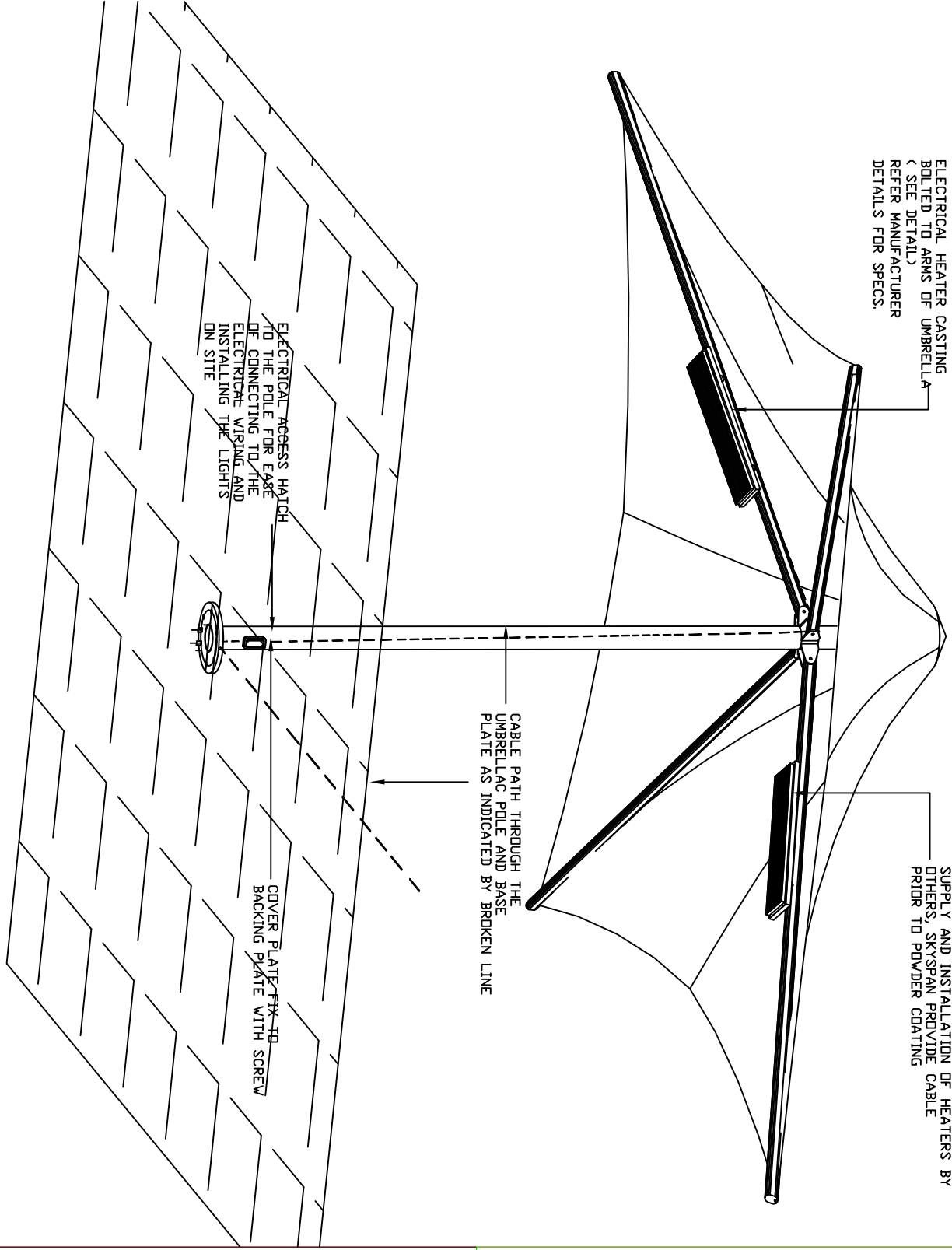
ELECTRICAL HEATER CASTING  
BOLTED TO ARMS OF UMBRELLA  
(SEE DETAIL)  
REFER MANUFACTURER  
DETAILS FOR SPECS.

SUPPLY AND INSTALLATION OF HEATERS BY  
OTHERS, SKYSPAN PROVIDE CABLE  
PRIOR TO POWDER COATING

CABLE PATH THROUGH THE  
UMBRELLAC POLE AND BASE  
PLATE AS INDICATED BY DASHED LINE

ELECTRICAL ACCESS HATCH  
TO THE POLE FOR EASE  
OF CONNECTING TO THE  
ELECTRICAL WIRING AND  
INSTALLING THE LIGHTS  
ON SITE

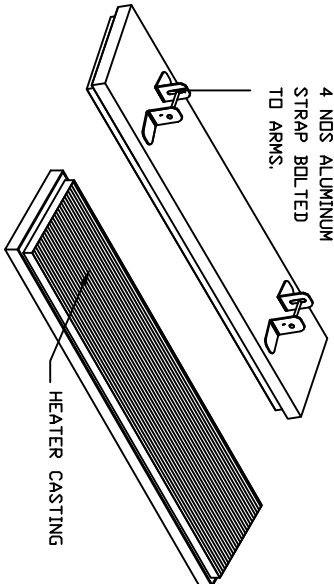
COVER PLATE FIX TO  
BACKING PLATE WITH SCREW



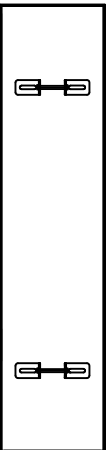
4 NOS ALUMINUM  
STRAP BOLTED  
TO ARMS.

HEATER CASTING

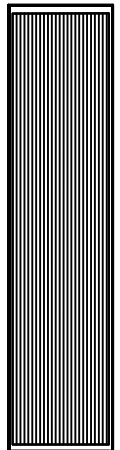
ISOMETRIC DETAIL



BACK



FRONT



NOTES: DIMENSIONS AND DETAILS VARIES UPON  
MANUFACTURER SPECS & RECOMMENDATION.  
ELECTRICAL HEATER DETAIL

TYPICAL ELECTRICAL HEATER FITTING ARRANGEMENT  
ON HORIZON STANDARD UMBRELLA



Skyspan Umbrellas Pty. Ltd.  
www.skyspan-umbrellas.com.au  
E-mail: info@skyspan-umbrellas.com.au  
Tel: +61(0)7 55 468 155  
Fax: +61(0)7 55 468 166

All drawings and details are confidential documents of Skyspan Umbrellas Pty. Ltd. The design and content of Skyspan Umbrellas Pty. Ltd. is the property of Skyspan Umbrellas Pty. Ltd.