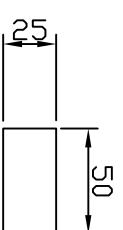
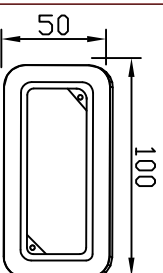
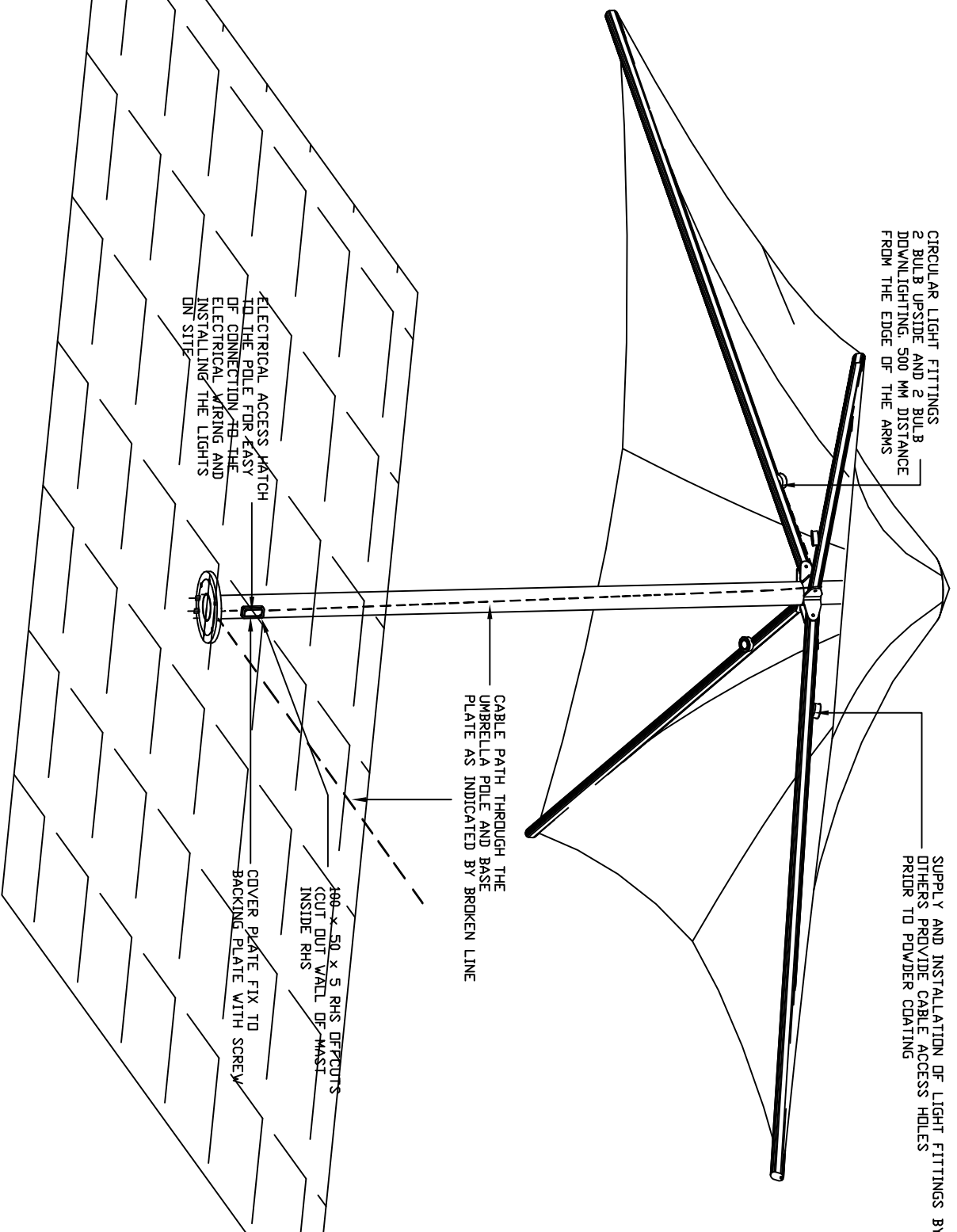
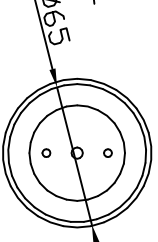
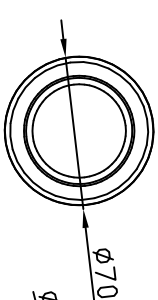


CIRCULAR LIGHT FITTINGS
2 BULB UPSIDE AND 2 BULB
DOWNLIGHTING. 500 MM DISTANCE
FROM THE EDGE OF THE ARMS

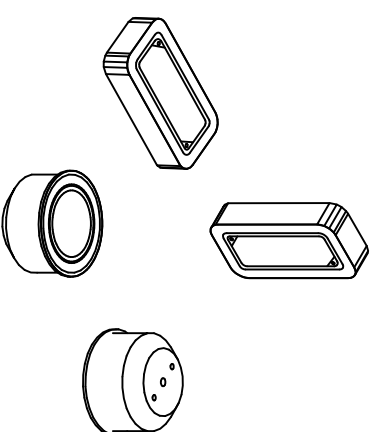
SUPPLY AND INSTALLATION OF LIGHT FITTINGS BY
OTHERS PROVIDE CABLE ACCESS HOLES
PRIOR TO POWDER COATING



ELECT. MAST ACCESS BOX



CIRCULAR LIGHT FITTINGS



ISOMETRIC VIEW



skyspan

Skyspan Umbrellas Pty. Ltd.
www.skyspan-umbrellas.com.au
E-mail: info@skyspan-umbrellas.com.au
Tel: +61(0)7 55 468 155
Fax: +61(0)7 55 468 166

All drawings and details are confidential documents of Skyspan Umbrellas Pty. Ltd. The design and content of Skyspan Umbrellas Pty. Ltd. is the property of Skyspan Umbrellas Pty. Ltd.

TYPICAL LIGHT FITTING ARRANGEMENT
ON HORIZONTAL STANDARD UMBRELLA